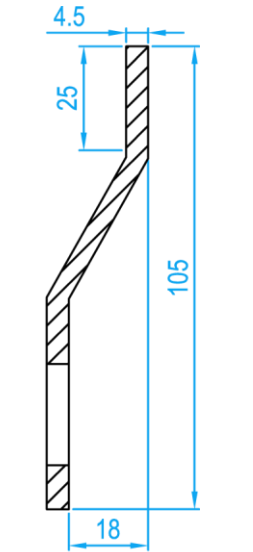
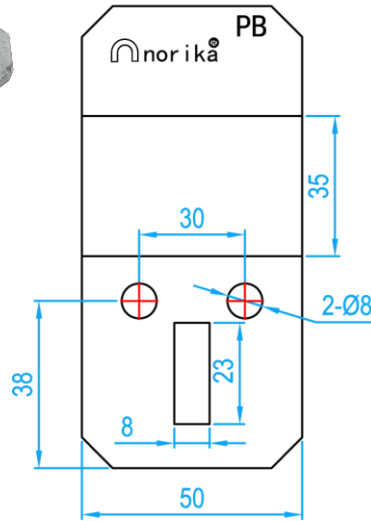


GALVANIZED IRON MILD STEEL BASIN OFFSET BRACKET IN PAIRS



TOP VIEW

SIDE SECTION VIEW

COMPONENT PARTS	
MATERIAL	Galvanized Iron

DIMENSIONS					
SKU	LENGTH (mm)	WIDE (mm)	THICKNESS (mm)	WEIGHT (kg)	SETS/CTN
PB	105	50	4.5	0.360	60